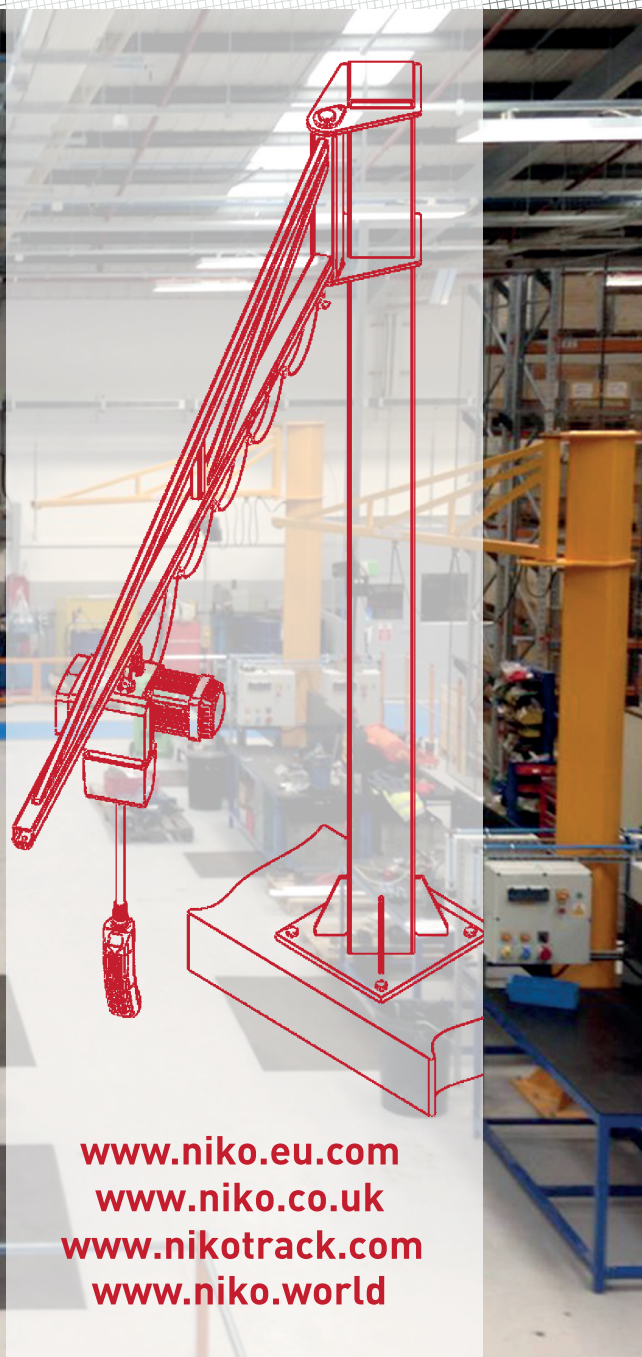


NIKO Jib Cranes



NIKO ... Quality in Motion



www.niko.eu.com
www.niko.co.uk
www.nikotrack.com
www.niko.world

NIKO Jib Cranes

NIKO manufactures and supplies a wide range of different types of jib cranes, that can be freestanding, clamp around an existing column or bolt directly onto a wall.

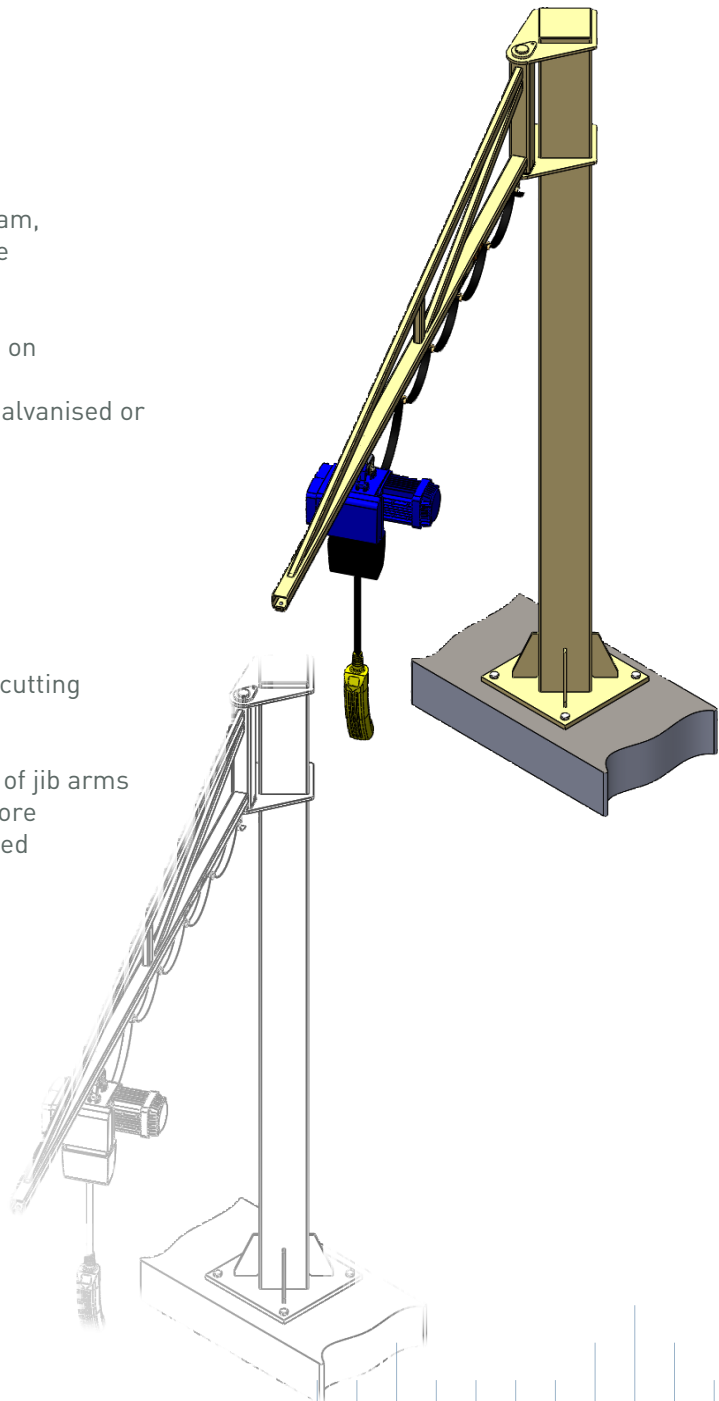
Comprising of various arm types, NIKO jib cranes are built to customer requirements to ensure they fully satisfy the customers lifting requirements.

Features

- ✓ SWL: 80 - 1000kg
- ✓ Arm length: up to 6m
- ✓ Column height: up to 5m
- ✓ Arm types: profile track, under-braced I-beam, over-braced I-beam and articulated/knuckle
- ✓ Fixing: freestanding, wall fixing, clamp around column fixing
- ✓ Slewing arc: 270° on standard arms or 360° on articulated arms
- ✓ Finish: powder coated, zinc plated, hot dip galvanised or stainless steel

Advantages

- ✓ Made to order, no costs for excess steel or cutting
- ✓ Free and easy to operate
- ✓ Low maintenance
- ✓ Lubrication-free bearings used on majority of jib arms
- ✓ Base fabricated directly to pillar and therefore expensive foundation frames are not required

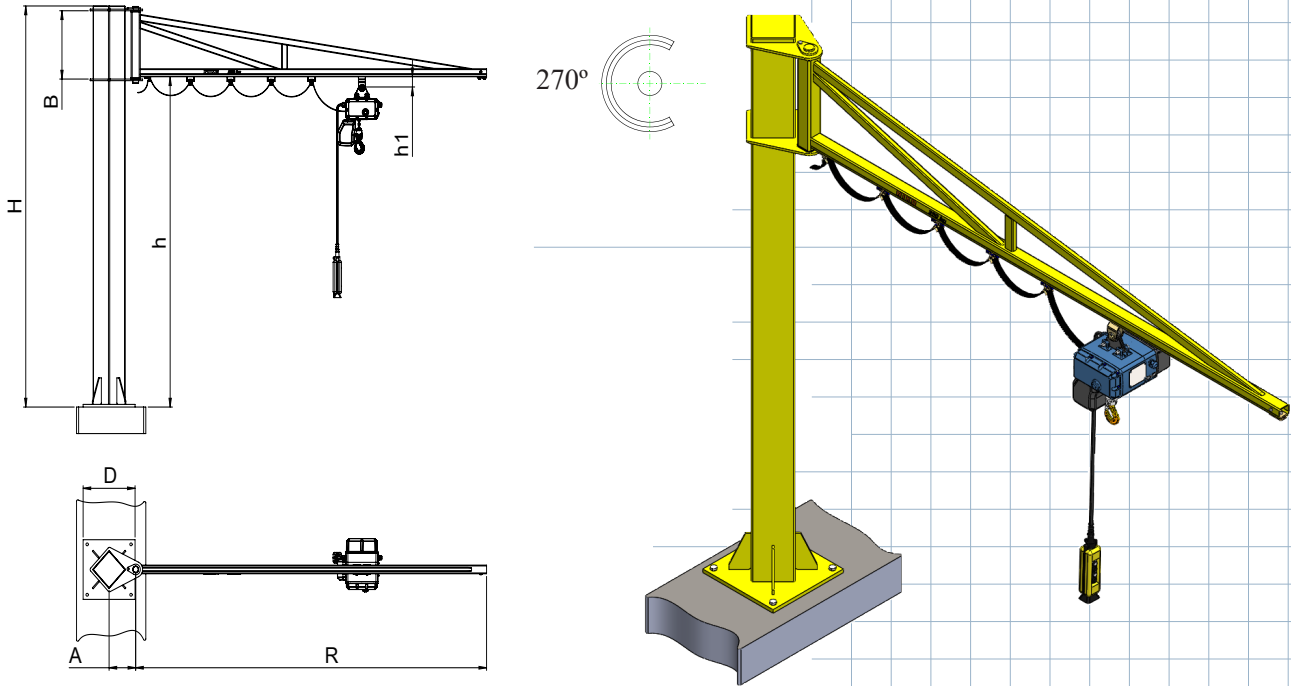


Over-braced (OB) Profile Jib cranes

In OB Profile Jib cranes the bracings are located above our NIKO track profile. This type is the most free running along the arm length and therefore is generally the easiest type for the operator to use.

Freestanding Jib crane

NIKO freestanding jib cranes are supplied in kit form and comprise of 2 main parts: the pillar and the arm. The pillars are designed and fabricated to suspend the required jib arm type. The arm is fixed to the column using a pivot pin. The arm then rotates around the pillar and enables lifting within a predetermined arc.

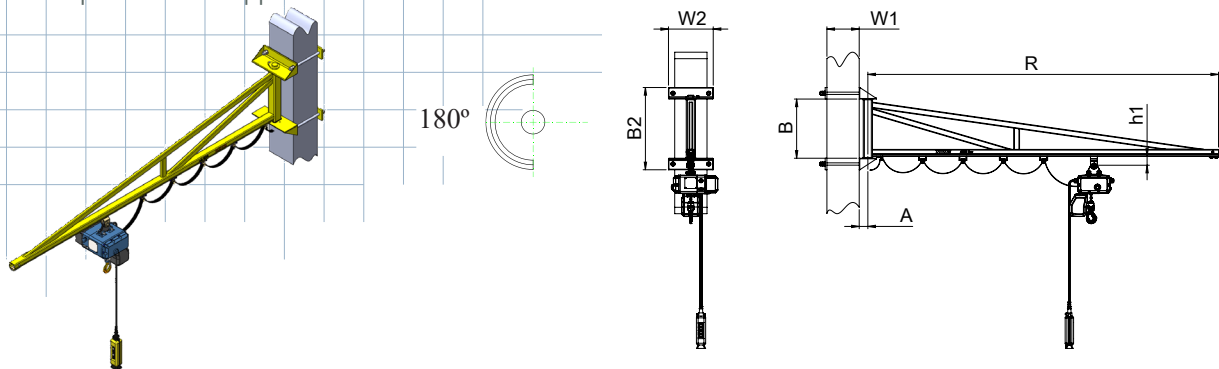


SWL (kg)	Free standing OB Profile Jib Crane NIKO Part No.	Arm Dimensions				Freestanding pillar Dimensions			
		Radius R (m)	NIKO track Profile	Kingpin Height B (mm)	Trolley Depth h1 (mm)	Overall Height H (mm)*	Height to Under Arm h (mm)	Pivot Point A (mm)	Base Size D (mm)
80	24.J053.K30	3	24.000	500	65	3000	2500	230	450x450
	24.J054.K30	4	24.000	500	65	3000	2500	230	450x450
	24.J065.K30	5	24.000	600	65	3000	2400	230	450x450
	25.J066.K30	6	25.000	600	77	3000	2400	260	600x600
125	25.J053.K30	3	25.000	500	77	3000	2500	230	450x450
	25.J054.K30	4	25.000	500	77	3000	2500	230	450x450
	25.J065.K30	5	25.000	600	77	3000	2400	230	600x600
	25.J0756.K30	6	25.000	750	77	3000	2250	260	600x600
250	25.J063.K30	3	25.000	600	77	3000	2400	230	450x450
	25.J064.K30	4	25.000	600	77	3000	2400	260	600x600
	26.J0755.K30	5	26.000	750	94	3000	2250	260	600x600
500	26.J0856.K30	6	26.000	850	94	3000	2150	260	700x700
	26.J0753.K35	3	26.000	750	94	3500	2750	260	600x600
	26.J0754.K35	4	26.000	750	94	3500	2750	260	600x600
	27.J0855.K35	5	27.000	850	123	3500	2650	260	600x600
1000	27.J106.K35	6	27.000	1000	123	3500	2500	315	700x700
	27.J0753.K35	3	27.000	750	123	3500	2750	315	700x700
	27.J0854.K35	4	27.000	850	123	3500	2650	315	700x700

* Columns are available up to 5 metres upon request.

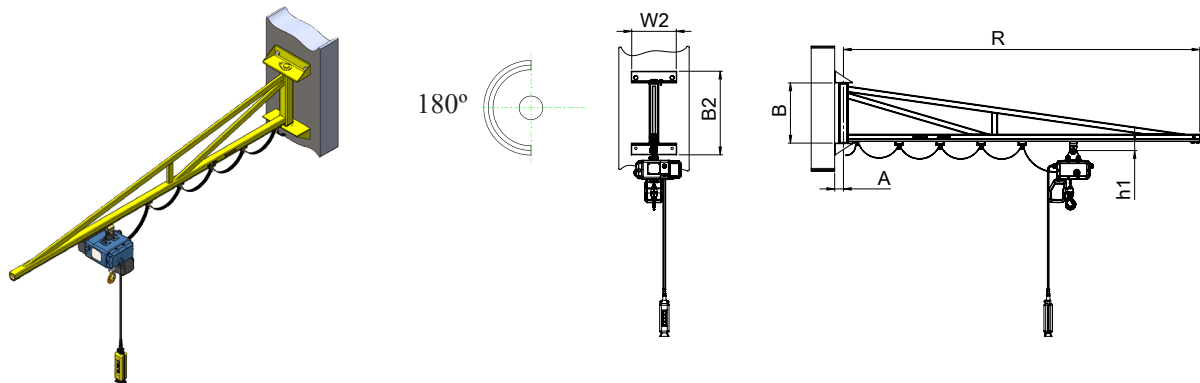
Clamp around Column Mounted Jib Cranes

NIKO column mounted jib cranes comprise of an arm and a pair of brackets that can be clamped around an existing building column/stanchion/pillar. The support structure must be tested by a structural engineer to ensure it is strong enough to sustain the weight of the jib when loaded. The arm is then located between the pair of clamping brackets and fixed using a pivot pin. The arm then rotates around the support column and enables lifting within a predetermined arc. Anti-slip measures must be taken to ensure that the jib crane cannot slip down the support column.



Wall Mounted Jib crane

NIKO wall mounted jib cranes comprise of an arm and a pair of brackets that can be bolted or welded to an existing wall or building column/stanchion/pillar. The support structure must be tested by a structural engineer to ensure it is strong enough to sustain the weight of the jib when loaded. The arm is then located between the pair of clamping brackets and fixed using a pivot pin. The arm then rotates around the support column and enables lifting within a predetermined arc.

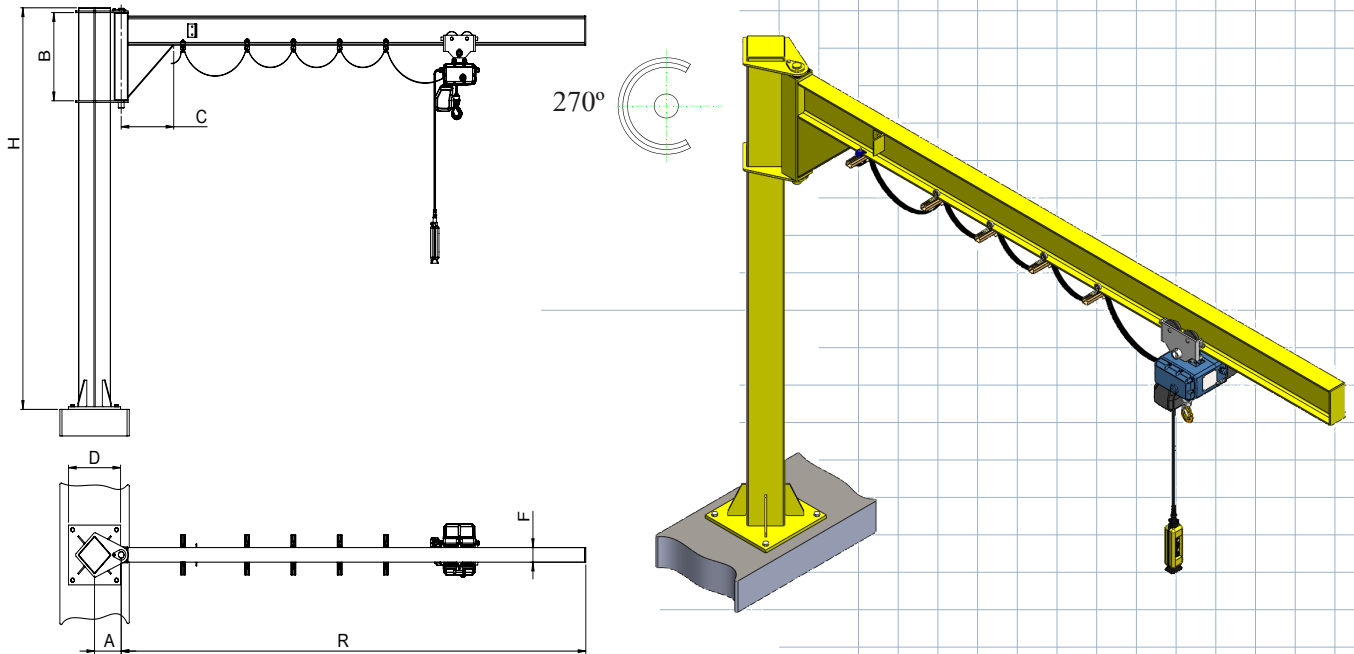


SWL (kg)	NIKO Profile Jib Crane Part No.		Arm Dimensions				Wall/Face Mounted & Clamp Around Column Bracket Dimensions			
	Column Mounted	Wall Mounted	R (m)	NIKO Track Profile	Kingpin Height B (mm)	Trolley Depth h1 (mm)	Overall Height B2 (mm)	Bracket Width W2 (mm)	W1 (mm)	Pivot Point A (mm)
80	24.J053.C	24.J053	3	24.000	500	65	680	380	500	75
	24.J054.C	24.J054	4	24.000	500	65	680	380	500	75
	24.J065.C	24.J065	5	24.000	600	65	780	380	500	75
	25.J066.C	25.J066	6	25.000	600	77	780	380	500	75
125	25.J053.C	25.J053	3	25.000	500	77	680	380	500	75
	25.J054.C	25.J054	4	25.000	500	77	680	380	500	75
	25.J065.C	25.J065	5	25.000	600	77	780	380	500	75
	25.J0756.C	25.J0756	6	25.000	750	77	930	380	500	75
250	25.J063.C	25.J063	3	25.000	600	77	780	380	500	75
	25.J064.C	25.J064	4	25.000	600	77	780	380	500	75
	26.J0755.C	26.J0755	5	26.000	750	94	930	380	500	75
500	26.J0856.C	26.J0856	6	26.000	850	94	1030	380	500	75
	26.J0753.C	26.J0753	3	26.000	750	94	930	380	500	75
	26.J0754.C	26.J0754	4	26.000	750	94	930	380	500	75
	27.J0855.C	27.J0855	5	27.000	850	123	1050	380	500	105
1000	27.J106.C	27.J106	6	27.000	1000	123	1200	380	500	105
	27.J0753.C	27.J0753	3	27.000	750	123	950	380	500	105
	27.J0854.C	27.J0854	4	27.000	850	123	1050	380	500	105

Under-braced (UB) I-beam Jib cranes

I-Beam Jib Cranes are generally used when powered travel is required along the arm. Under-braced I-beam jib cranes, are braced below the arm onto the underside of an I-beam. These are the lowest headroom variation and therefore are normally used in areas where headroom is limited.

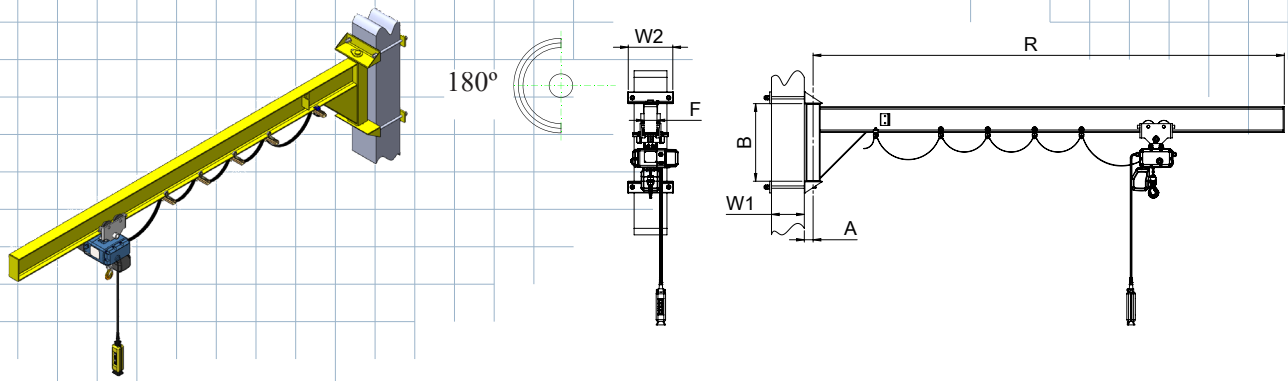
Freestanding Jib crane



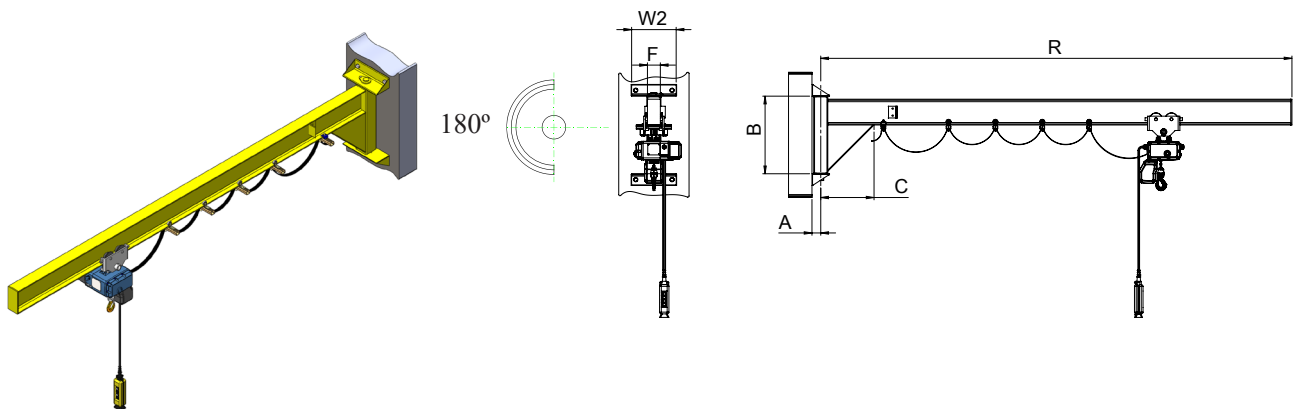
SWL (kg)	Free standing UB Profile Jib Crane NIKO Part No.	Arm Dimensions				Freestanding Pillar Dimensions		
		Radius R (m)	Flange width F (mm)	Kingpin Height B (mm)	Under bracing length C (mm)	Overall Height H (mm)*	Pivot Point A (mm)	Base Size D (mm)
80	180.U053.K30.0080	3	91	500	320	3000	230	450x450
	180.U054.K30.0080	4	91	500	320	3000	230	450x450
	200.U065.K30.0080	5	100	600	400	3000	230	450x450
	200.U066.K30.0080	6	100	600	400	3000	260	600x600
125	180.U053.K30.0125	3	91	500	320	3000	230	450x450
	200.U054.K30.0125	4	100	500	400	3000	230	450x450
	200.U065.K30.0125	5	100	600	500	3000	260	600x600
	240.U0756.K30.0125	6	120	750	500	3000	260	600x600
250	200.U063.K30.0250	3	100	600	400	3000	230	600x600
	240.U064.K30.0250	4	120	600	400	3000	260	600x600
	240.U0755.K30.0250	5	120	750	500	3000	260	700x700
	270.U0856.K30.0250	6	135	850	550	3000	260	700x700
500	240.U0753.K30.0500	3	120	750	500	3000	260	450x450
	270.U0754.K30.0500	4	135	750	500	3000	260	600x600
	360.U0855.K30.0500	5	170	850	500	3000	315	600x600
	400.U106.K30.0500	6	180	1000	600	3000	315	700x700
1000	270.U0753.K30.1000	3	135	750	450	3000	315	700x700
	360.U0854.K30.1000	4	170	850	500	3000	315	700x700

* Columns are available up to 5 metres upon request.

B. Clamp around Column Mounted Jib Cranes



C. Wall Mounted Jib crane

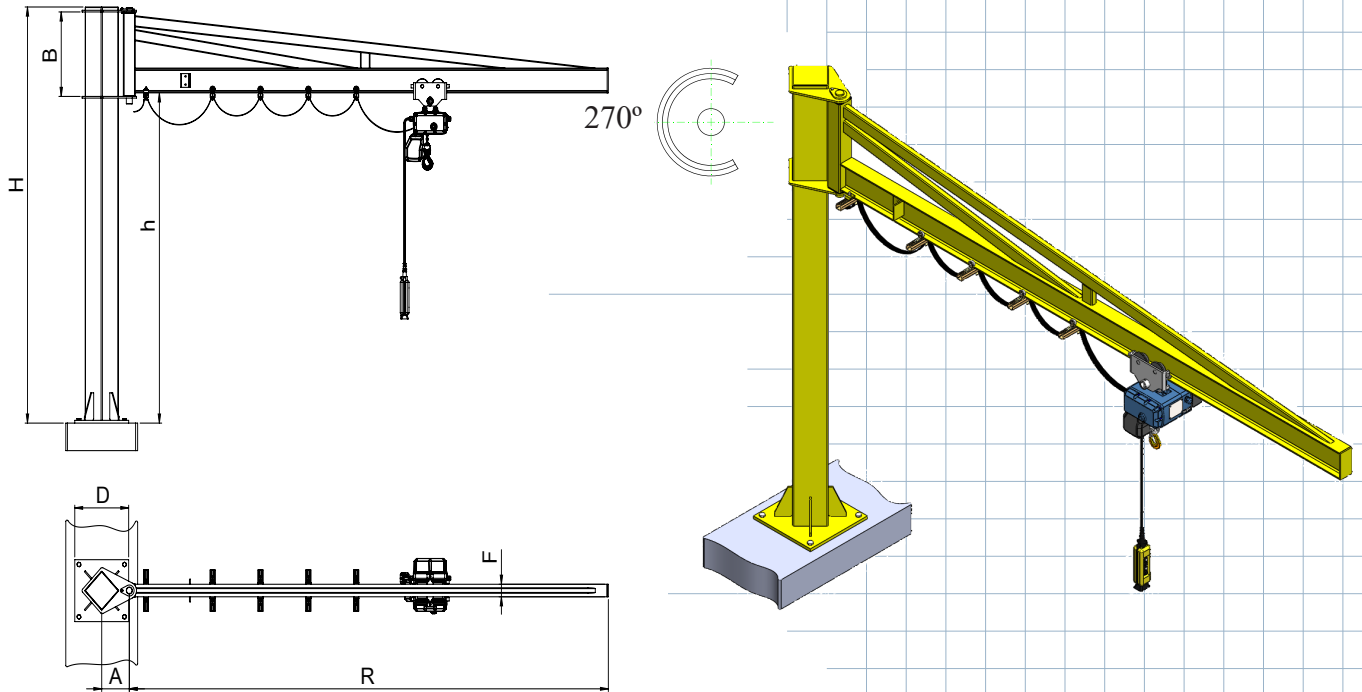


SWL (kg)	I-Beam Jib crane Part No.		Arm Dimensions				Wall/Face mounted & clamp around column bracket dimensions		
	Column mounted	Wall mounted	R (m)	Flange width F (mm)	Kingpin Height B (mm)	Under bracing length C (mm)	Bracket Width (W2)	W1 (mm)	Pivot Point A (mm)
80	180.U053.C.0080	180.U053.0080	3	91	500	320	380	500	75
	180.U054.C.0080	180.U054.0080	4	91	500	320	380	500	75
	200.U065.C.0080	200.U065.0080	5	100	600	400	380	500	75
	200.U066.C.0080	200.U066.0080	6	100	600	400	380	500	105
125	180.U053.C.0125	180.U053.0125	3	91	500	320	380	500	75
	200.U054.C.0125	200.U054.0125	4	100	500	400	380	500	105
	200.U065.C.0125	200.U065.0125	5	100	600	500	380	500	105
	240.U0756.C.0125	240.U0756.0125	6	120	750	500	380	500	105
250	200.U063.C.0250	200.U063.0250	3	100	600	400	380	500	75
	240.U064.C.0250	240.U064.0250	4	120	600	400	380	500	105
	240.U0755.C.0250	240.U0755.0250	5	120	750	500	380	500	105
	270.U0856.C.0250	270.U0856.0250	6	135	850	550	380	500	105
500	240.U0753.C.0500	240.U0753.0500	3	120	750	500	380	500	105
	270.U0754.C.0500	270.U0754.0500	4	135	750	500	380	500	105
	360.U0855.C.0500	360.U0855.0500	5	170	850	500	380	500	105
	400.U106.C.0500	400.U106.0500	6	180	1000	600	380	500	105
1000	270.U0753.C.1000	270.U0753.1000	3	135	750	450	380	500	105
	360.U0854.C.1000	360.U0854.1000	4	170	850	500	380	500	105

Over-braced (OB) I-beam Jib cranes

Over-braced I-beam jib cranes are braced the same as profile arms, but with an I-beam underneath rather than a NIKO track profile. These are generally used when powered travel is required along the arm.

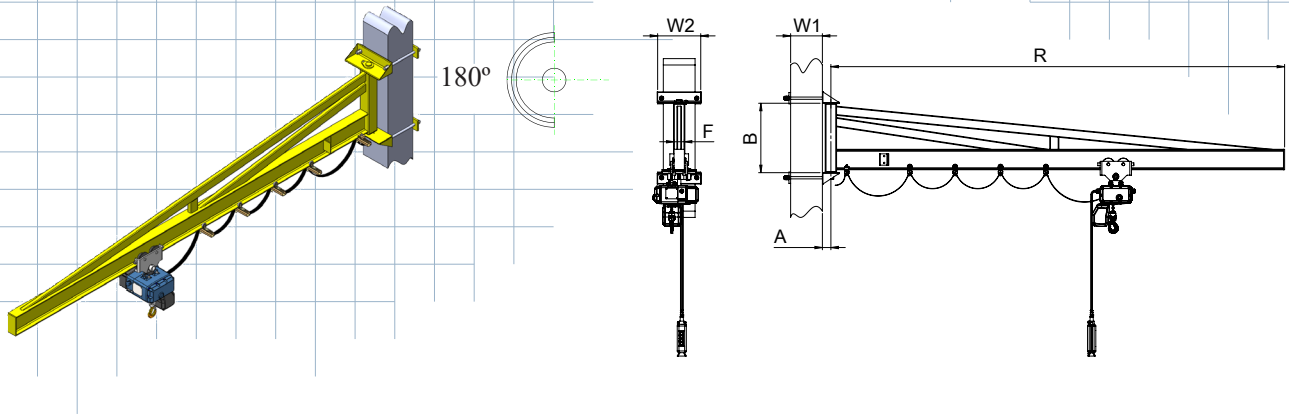
A. Freestanding Jib crane



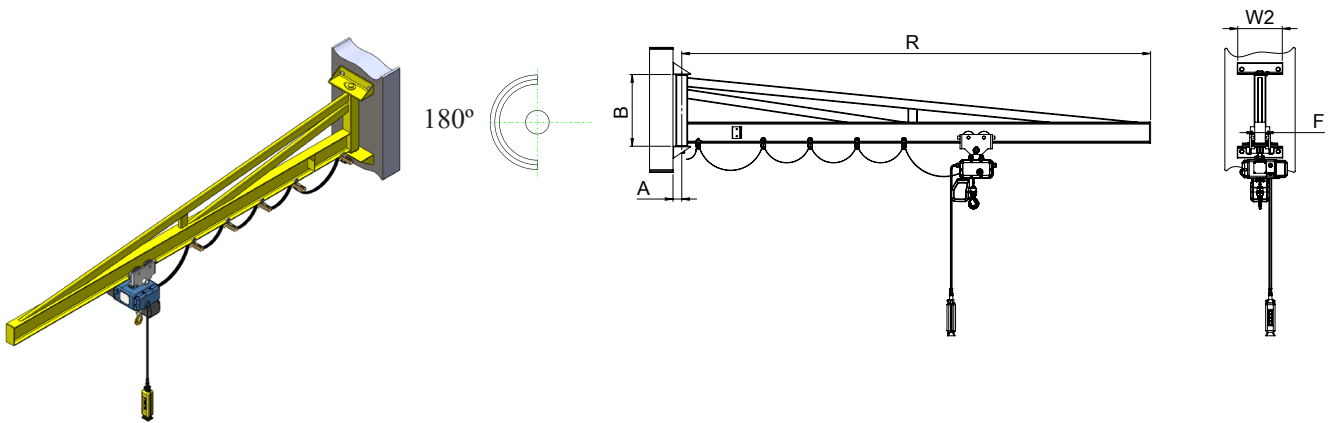
SWL (kg)	Free stading OB I-beam Jib Crane	Arm Dimensions			Freestanding pillar Dimensions			
	NIKO Part No.	Radius R (m)	Flange width F (mm)	Kingpin Height B (mm)	Overall Height H (mm)*	Height to Under Arm h (mm)	Pivot Point A (mm)	Base Size D (mm)
80	180.0053.K30.0080	3	91	500	3000	2500	230	450x450
	180.0054.K30.0080	4	91	500	3000	2500	230	450x450
	180.0065.K30.0080	5	91	600	3000	2400	230	450x450
	180.0066.K30.0080	6	91	600	3000	2400	230	600x600
125	180.0053.K30.0125	3	91	500	3000	2500	230	450x450
	180.0054.K30.0125	4	91	500	3000	2500	230	450x450
	180.0065.K30.0125	5	91	600	3000	2400	230	600x600
	180.00756.K30.0125	6	91	750	3000	2250	260	600x600
250	180.0063.K30.0250	3	91	600	3000	2400	230	450x450
	180.0064.K30.0250	4	91	600	3000	2400	260	600x600
	180.00755.K30.0250	5	91	750	3000	2250	260	600x600
	180.00856.K30.0250	6	91	850	3000	2150	260	700x700
500	180.00753.K35.0500	3	91	750	3500	2750	260	600x600
	180.00754.K35.0500	4	91	750	3500	2750	315	700x700
	180.00855.K35.0500	5	91	850	3500	2650	315	700x700
	200.0106.K35.0500	6	100	1000	3500	2500	315	700x700
1000	180.00753.K35.1000	3	91	750	3500	2750	315	700x700
	200.00854.K35.1000	4	100	850	3500	2650	315	700x700

* Columns are available up to 5 metres upon request.

B. Clamp around Column Mounted Jib Cranes



C. Wall Mounted track Jib crane



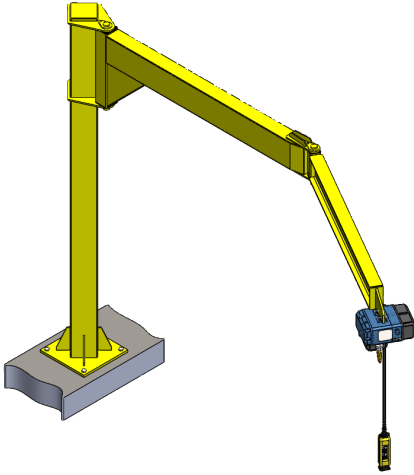
SWL (kg)	I-Beam Jib crane Part No.		Arm Dimensions			Wall/Face Mounted & Clamp Around Column Bracket Dimensions			
	Column mounted	Wall mounted	R (m)	Flange width F (mm)	Kingpin Height B (mm)	Overall Height B2 (mm)	Bracket Width W2 (mm)	W1 (mm)	Pivot Point A (mm)
80	180.0053.C.0080	180.0053.0080	3	91	500	680	380	500	75
	180.0054.C.0080	180.0054.0080	4	91	500	680	380	500	75
	180.0065.C.0080	180.0065.0080	5	91	600	780	380	500	75
	180.0066.C.0080	180.0066.0080	6	91	600	780	380	500	75
125	180.0053.C.0125	180.0053.0125	3	91	500	680	380	500	75
	180.0054.C.0125	180.0054.0125	4	91	500	680	380	500	75
	180.0065.C.0125	180.0065.0125	5	91	600	780	380	500	75
	180.00756.C.0125	180.00756.0125	6	91	750	930	380	500	75
250	180.0063.C.0250	180.0063.0250	3	91	600	780	380	500	75
	180.0064.C.0250	180.0064.0250	4	91	600	780	380	500	75
	180.00755.C.0250	180.00755.0250	5	91	750	930	380	500	75
	180.00856.C.0250	180.00856.0250	6	91	850	1030	380	500	75
500	180.00753.C.0500	180.00753.0500	3	91	750	930	380	500	75
	180.00754.C.0500	180.00754.0500	4	91	750	930	380	500	75
	180.00855.C.0500	180.00855.0500	5	91	850	1050	380	500	105
	200.0106.C.0500	200.0106.0500	6	100	1000	1200	380	500	105
1000	180.00753.C.1000	180.00753.1000	3	91	750	950	380	500	105
	200.00854.C.1000	200.00854.1000	4	100	850	1050	380	500	105

Special applications of Jib cranes

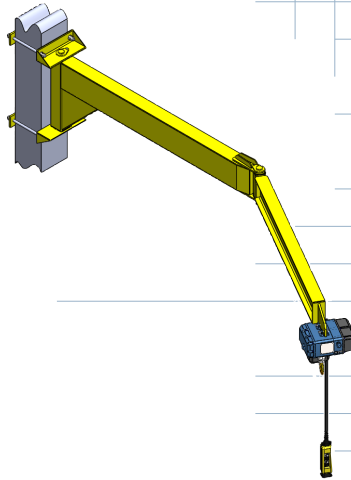
We can provide other types of jib cranes including articulated jib cranes, under-braced NIKO track profile, telescopic arms or ceiling mounted Jib Cranes. These are normally bespoke fabrications designed to meet very specific non-standard requirements.

Articulated Jib cranes

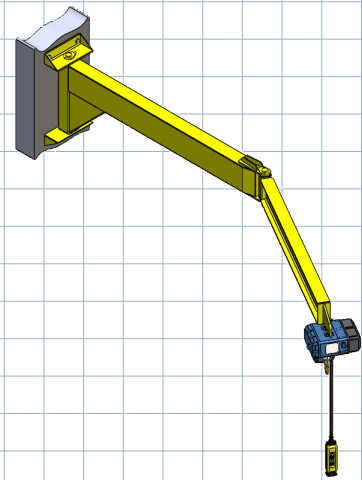
In articulated jib cranes, the arm is made in 2 sections. The 2 arm sections pivot at the joint and therefore allow the arm to cover an almost complete 360° stowing arc.



Free standing articulated Jib crane

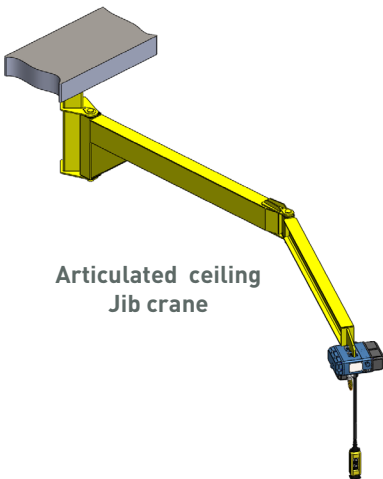


Clamp around Column Mounted articulated Jib Cranes

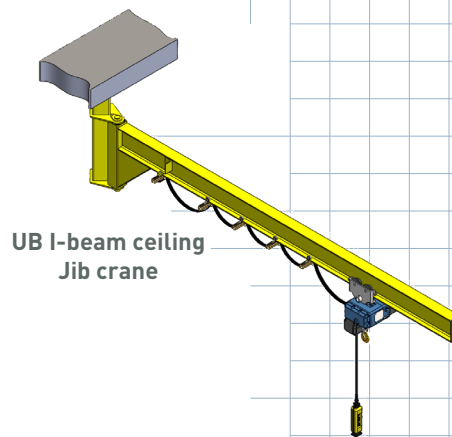


Wall mounted articulated Jib crane

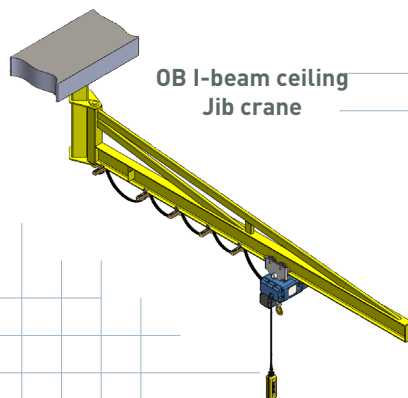
Ceiling Jib Cranes



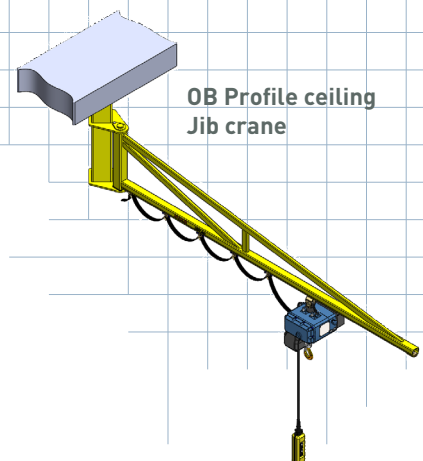
Articulated ceiling Jib crane



UB I-beam ceiling Jib crane



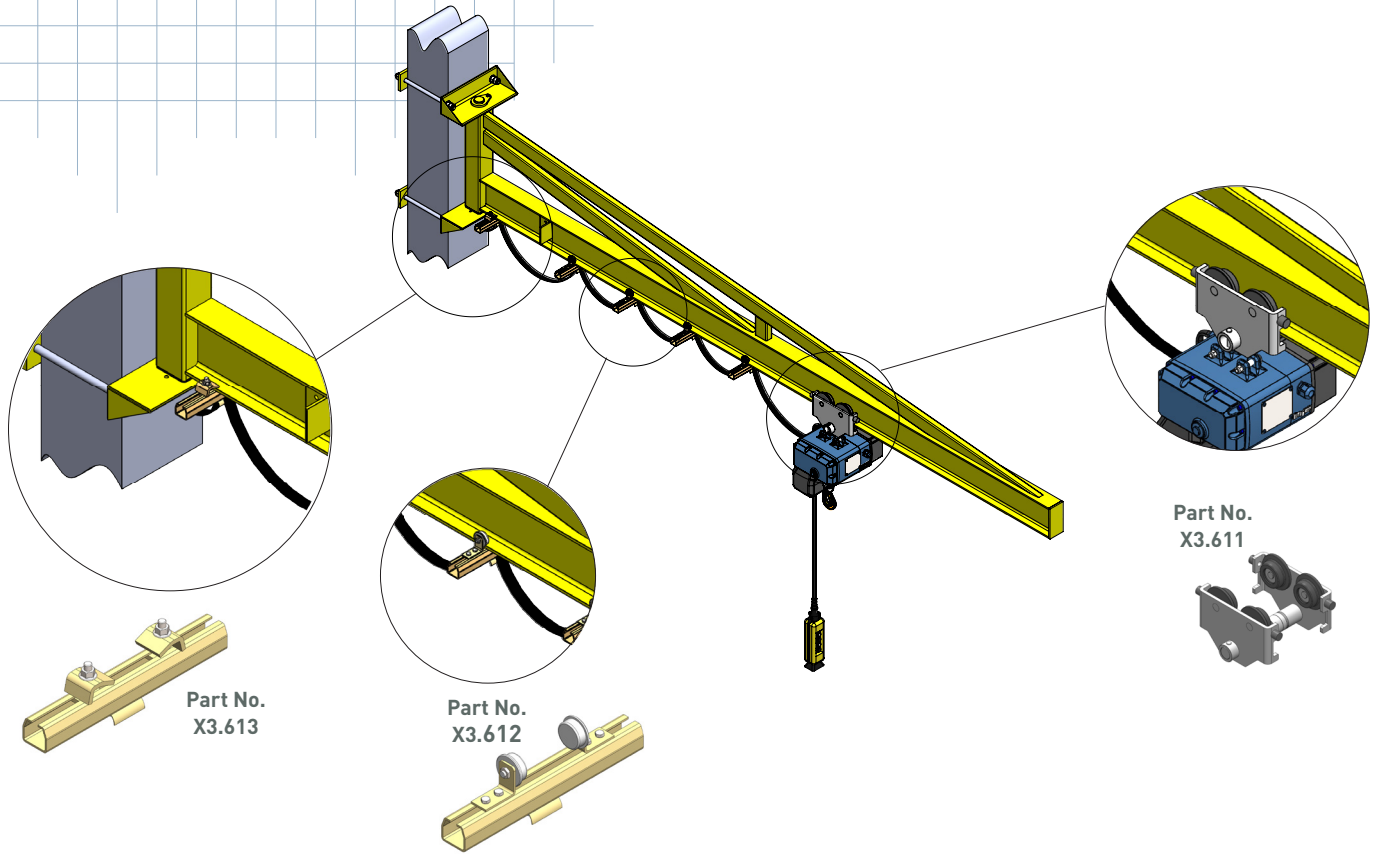
OB I-beam ceiling Jib crane



OB Profile ceiling Jib crane

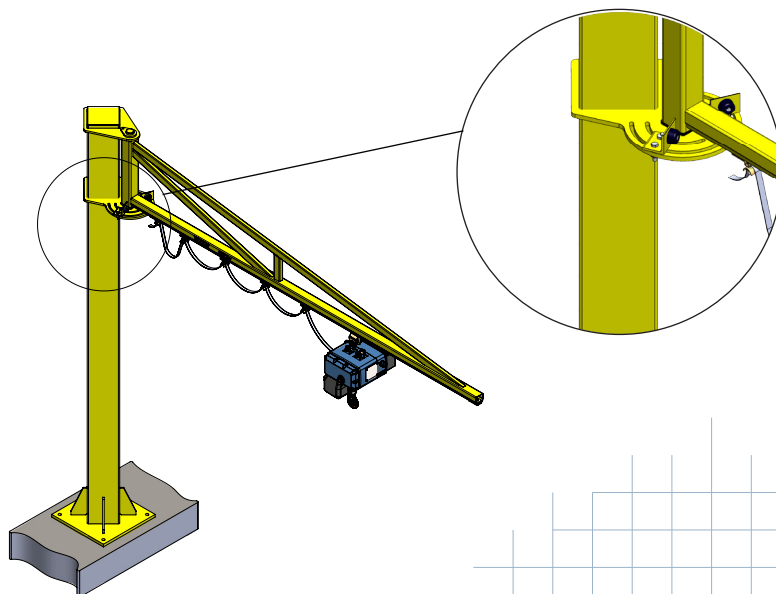
Additional components for I-Beam jib cranes

NIKO trolleys for hoists, cable trolleys and cable end clamps for all types of I-beam jib cranes.



Slewing limit for jib cranes

The slewing limit restricts the rotation of the arm for such angles as to prevent the impact of the load at fixed points and contribute in safer workspace.



Application Photos





AUSTRIA-NIKO Vertriebs GmbH

Hainfelder Straße 48
A - 2560 Berndorf
Tel. 0043 2672-21201
Fax 0043 2672-21201-13
office.at@niko.eu.com
www.niko.world

CHINA-NIKO TRADING (SHANGHAI) Co., Ltd

Room 605, Building #13, No.354
Linghe Road, Pudong District,
P.R.China - 200120 Shanghai
Tel. 0086 139 1814 5645
info.cn@niko.eu.com

GERMANY-NIKO Technik GmbH

Robert-Bosch-Str. 14
DE - 42489 Wülfrath
Tel. 0049 (0) 2058 9093603
Fax 0049 (0) 2058 9093604
office.de@niko.eu.com

GREECE-Helm Hellas S.A.

82nd Km Athens-Korinthos
P.O. Box 209
GR - 201 00 KORINTHOS
Tel. 0030 27410 76800
Fax 0030 27410 25368
info@niko.eu.com

POLAND- NIKO Polska

Wojska Polskiego 65A
PL - Wielun 98-300
Tel. 0048 504 00 35 56
info.pl@niko.eu.com

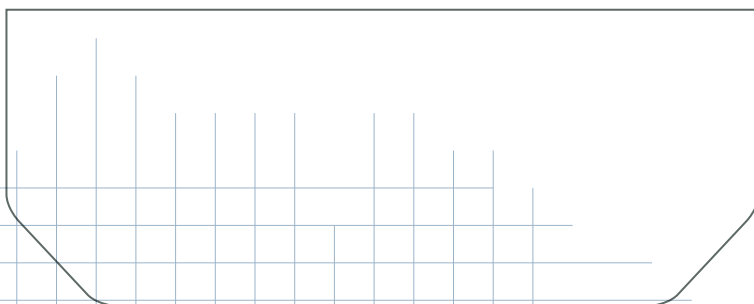
UNITED KINGDOM-NIKO Ltd

Units 15-21, Insight Park
Welsh Road East, Southam
Warwickshire, CV47 1NE - UK
Tel. 0044 (0) 1926 813111
Fax 0044 (0) 1926 815599
Sales@niko.co.uk
www.niko.co.uk

USA-NIKO Track
300 Highpoint Ave
USA - Portsmouth, RI. 02871
Tel. 001 (0) 401 683 7525
Fax 001 (0) 401 293 3848
info@nikotrack.com
www.nikotrack.com

www.niko.eu.com www.niko.co.uk www.nikotrack.com www.niko.world

Your **NIKO** agent will be happy to advise you:



Complete **NIKO** product range:

- LIGHT DUTY SLIDING DOOR HARDWARE
- HEAVY DUTY SLIDING DOOR HARDWARE
- CONVEYOR SYSTEMS
- LIGHT CRANES
- CABLE TROLLEYS, FESTOON SYSTEMS & CONDUCTOR BARS
- PERSONAL FALL ARREST SYSTEMS (EN 795)
- ACCESSORIES FOR GATES AND DOORS